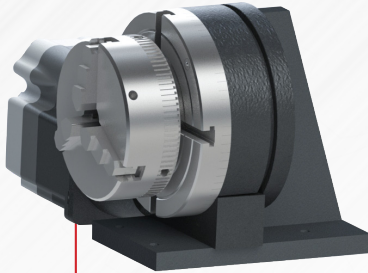
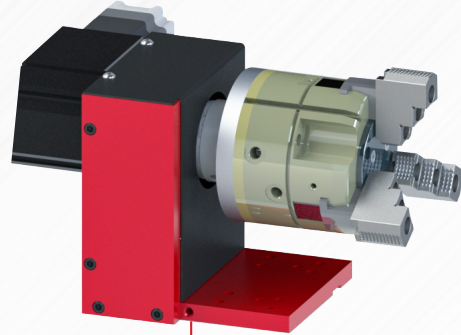


ROTARY MARKING SOLUTIONS



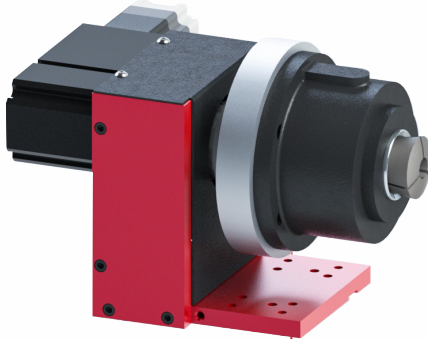
Standard 3 Jaw Rotary (PR4)

- 360 degree + rotation
- Max part OD/ ID - 2.75"
- Max weight capacity - 25lbs
- Moment capacity - 65in-lbs
- Manual gripper



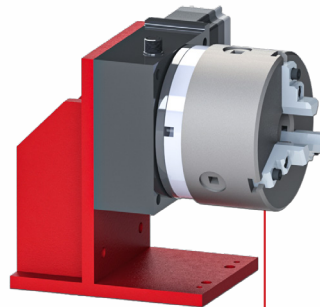
Air Powered 3 Jaw Rotary (AR3J)

- 360 degree + rotation
- Max part OD/ ID - 3" with "Standard Jaws"
- Max weight capacity - 25lbs
- Moment capacity - 20in-lbs
- Air powered gripper
- Custom jaws could be made for bigger parts.



5C Collet Style Rotary (AR5C)

- 360 degree + rotation
- Max weight capacity - 35lbs
- Moment capacity - 20in-lbs
- Air powered gripper
- Standard 5C collet interchangeability



HD Rotary (HD8)

- 360 degree + rotation
- Max part OD/ ID - 6.0"
- Max weight capacity - 80lbs
- Moment capacity - 240in-lbs
- Through hole max OD - 1.57"

- Wide range of solutions based on marking requirements
- Designed to meet your application specific throughput demands
- Solutions for all part size rotary marking